

QuietZone™ Acoustic Wall Framing Trade Notes

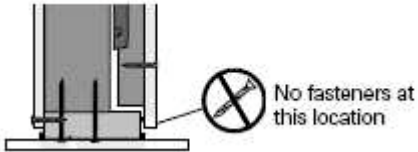
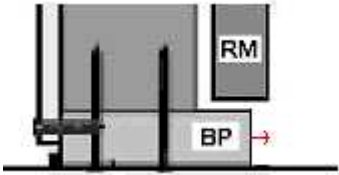
Purpose: To outline trade-specific procedures for installing QuietZone™ Acoustic Wall Framing correctly

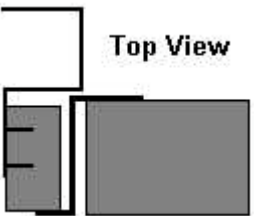
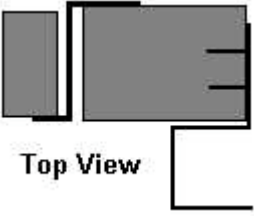
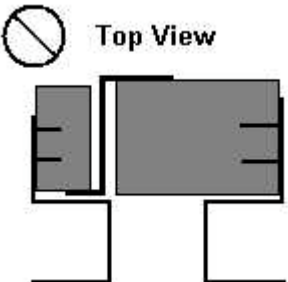
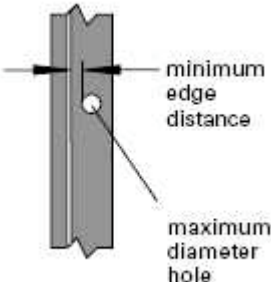
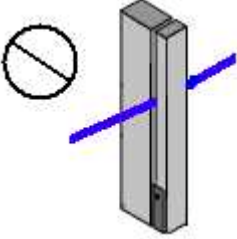
Job Name: _____

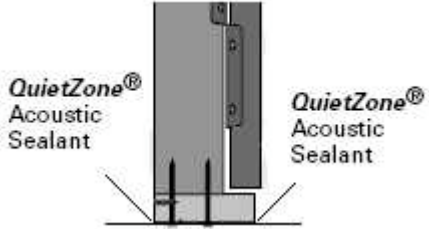
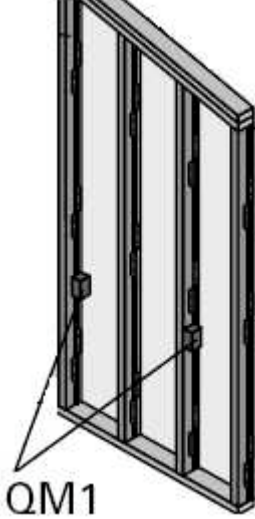
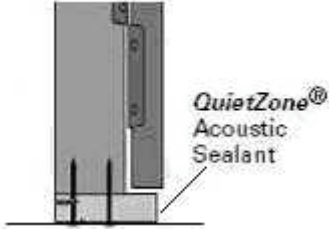
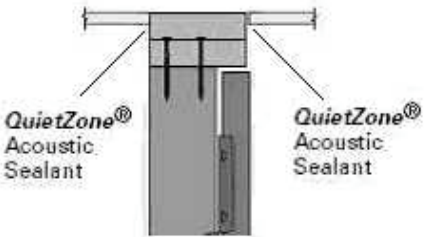
Inspector: _____

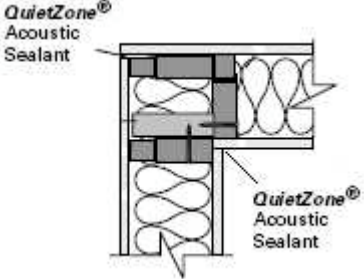
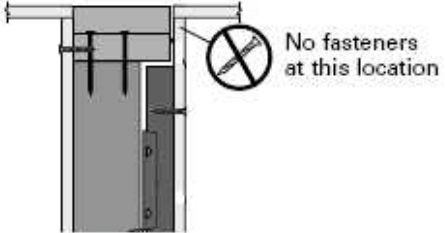
Job Location: _____

Date: _____

Trade	Standard	✓	Inst. Guide Reference		Diagram	Notes
			Pg	Ref#		
Framer	Resilient Member is not nailed		1	QA2		Do not toe-nail Resilient Members to top or bottom plates, they should be free to move
	Resilient Member moves freely		3	QM4		
	Resilient Member (RM) extends slightly beyond top and bottom plates (BP)		1	QA2		Clips can be pried open to ensure the resilient member extends beyond the top and bottom plate

Electrical	Junction boxes – when attached to Resilient Member, electrical boxes should not contact Structural Member		2	QM1	 <p>Top View</p>	Electricians can shim the electrical box to ensure it does not touch
	Junction boxes – when attached to Structural member, electrical box should not contact Resilient Member		2	QM1	 <p>Top View</p>	Electricians can shim the electrical box to ensure it does not touch
	No opposing boxes		2	QM1	 <p>Top View</p>	Plugs and switches should be spaced a minimum of 36" between each other and wall fixtures a minimum of 24" between each other
	Drill holes for electrical wiring as specified		3	QM3	 <p>minimum edge distance</p> <p>maximum diameter hole</p>	Check design guide for maximum dimensions for holes
	Do not run wires through the gap		3	QM3		This will allow sound to travel through the wall when everything is finished.

Drywall	Use QuietZone™ Acoustic Sealant		1	QA2		
	Bead bottom plate/floor		2	QC1-3		
	Seal junction boxes both sides		2	QM1		
	Bead bottom plate both sides		1	QA2		
	Bead top plate both sides		1	QA2		

Bead drywall edges at corners		2	QC1-3	 <p>QuietZone® Acoustic Sealant</p>	See installation guide for more details on corners
No fasteners in top or bottom plates		1	QA2	 <p>No fasteners at this location</p>	On resilient side of wall, only put fasteners in the resilient member, not in the top or bottom plate